



LED SMD FLOODLIGHT with knuckle

COMPACT series

LED SMD Compact Floodlights are a great step forward in the lighting industry. Their energy consumption is much lower and performance is often higher than that of all other widely used types of fixtures. Our floodlights can be mounted directly to electrical boxes or to poles with 1/2" threaded inserts.

Our SMD LED chips used in LED Compact Floodlights are very reliable and have more light covering the surface than traditional floodlight fixtures to produce bright, even, consistent light.

LED SMD Compact Floodlights are universal, contemporary and are widely used in residential and commercial applications such as yards, driveways, landscape lighting, walkways, parking lots – anywhere you need bright consistent light.

FEATURES AND BENEFITS:

- ▶ Fantastic energy savings when compared to other floodlights
- ▶ Resistance to high and low temperatures
- ▶ 1/2" NPS threaded locking swivel arm
- ▶ No maintenance costs
- ▶ Suitable for wet locations
- ▶ Suitable for uplighting & downlighting
- ▶ DesignLights™ Consortium (DLC) listed (4.0 standard)
- ▶ cULus certified
- ▶ L-70 Life > 36,000 hrs
- ▶ 5-year limited warranty



ORDERING MATRIX:

Family	Knuckle	Watts	CCT
ASD-CSFL	A	XX	50
COMPACT SMD Floodlight	with knuckle	10 = 10 W	5,000 K
		20 = 20 W	
		30 = 30 W	
		50 = 50 W	

LED SMD COMPACT FLOODLIGHT WITH KNUCKLE:

Model	LED	Watts	Dimming	CCT	Lumens	Dimensions (LxWxH)
ASD-CSFL-A1050	SMD	10 W	non-dimmable	5,000 K	1,029 lm	5.4"x1.1"x6.9"
ASD-CSFL-A2050	SMD	20 W	non-dimmable	5,000 K	1,865 lm	7.5"x1.4"x8.5"
ASD-CSFL-A3050	SMD	30 W	non-dimmable	5,000 K	2,877 lm	9.3"x1.7"x10.1"
ASD-CSFL-A5050	SMD	50 W	non-dimmable	5,000 K	4,872 lm	9.1"x1.7"x10.1"



LED SMD FLOODLIGHT with knuckle

COMPACT series

PRODUCT SPECIFICATIONS:

Construction & Materials				
Housing	Aluminum			
Reflector	Aluminum			
Glass	Tempered glass			
Mounting	½" NPS threaded locking swivel arm			
Finish Color	Black			
Weight	ASD-CSFL-A1050	1.1 lbs (0.5 kg)	ASD-CSFL-A2050	2 lbs (0.9 kg)
	ASD-CSFL-A3050	3.3 lbs (1.5 kg)	ASD-CSFL-A5050	3.4 lbs (1.6 kg)
Environmental System				
Work Environment	Suitable for Wet Locations			
Operating Temperature	-40-104°F (-40-40°C)			
L-70 Life	> 36,000 hrs			
Optical System				
Luminous Flux	ASD-CSFL-A1050	1,029 lm	ASD-CSFL-A2050	1,865 lm
	ASD-CSFL-A3050	2,877 lm	ASD-CSFL-A5050	4,872 lm
Color Temperature	5,000 K			
CRI	80			
Electrical System				
Input Voltage	100-277VAC 50/60 Hz			
Off State Power	0 W			
Power Consumption	ASD-CSFL-A1050	10 W	ASD-CSFL-A2050	20 W
	ASD-CSFL-A3050	30 W	ASD-CSFL-A5050	50 W
Power Factor	≥ 0.9			
Output voltage	30-40 V			
Max current	ASD-CSFL-A1050	120 mA	ASD-CSFL-A2050	280 mA
	ASD-CSFL-A3050	280 mA	ASD-CSFL-A5050	580 mA
Regular and Voluntary Certifications				
5-year limited warranty				
DesignLights™ Consortium (DLC) listed 4.0 standard				
cULus certified	E473804 - Surface-mounted Luminaires			

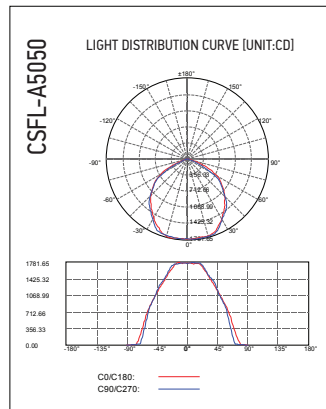
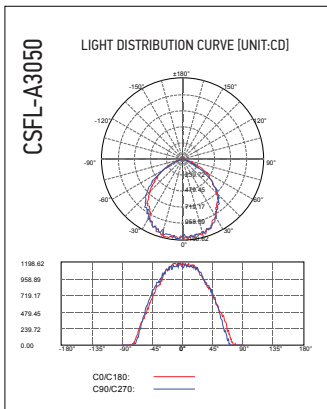
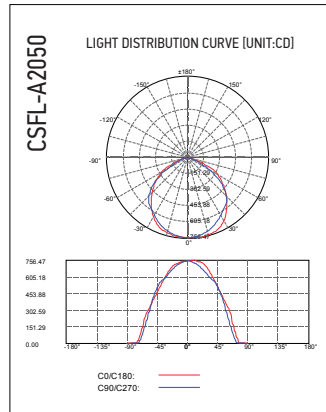
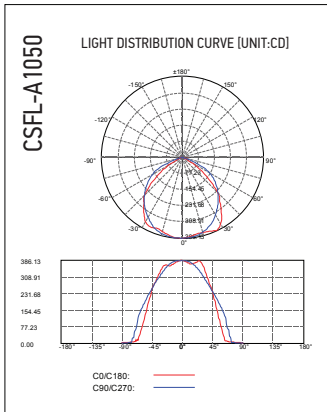
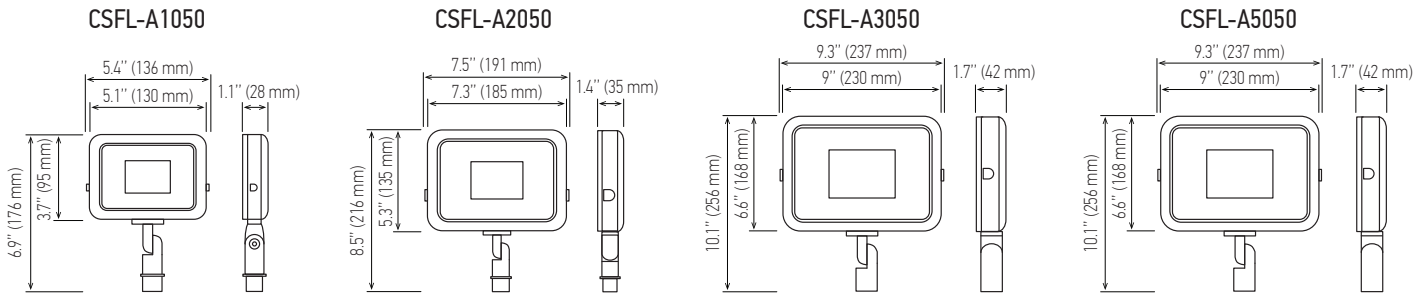


LED SMD FLOODLIGHT with knuckle

COMPACT series

LED SMD COMPACT FLOODLIGHT WITH KNUCKLE ORDERING INFORMATION:

Model	Watts	CCT	UPS	GTIN 14	Product Code	Pcs in one Carton	Carton Size	Carton Weight
ASD-CSFL-A1050	10 W	5000 K	855029006331	10855029006338	024.0117	40	19.7"x13.2"x15.4"	48.2 lbs
ASD-CSFL-A2050	20 W	5000 K	855029006348	10855029006345	024.0118	24	16.9"x13"x18.5"	54.6 lbs
ASD-CSFL-A3050	30 W	5000 K	855029006355	10855029006352	024.0119	10	20.5"x13"x11.6"	37.2 lbs
ASD-CSFL-A5050	50 W	5000 K	855029006362	10855029006369	024.0120	10	20.5"x13"x11.6"	38.1 lbs





LED SMD FLOODLIGHT with knuckle

COMPACT series

⚠ WARNING

RISK OF PERSONAL INJURY – READ and follow all WARNINGS and installation instructions.

Keep or give to the owner for future reference.

Risk of cuts: Wear gloves to prevent cuts or abrasions when removing from carton, handling, installing, and maintaining this product.

Risk of electric shock: This product must be installed in accordance with the applicable installation code by a person familiar with the construction and operation of the product and the hazards involved.

Risk of Fire: Minimum 90°C supply conductors. Consult a qualified electrician to ensure correct branch circuit conductor.

ASD® assumes no responsibility for claims arising out of improper or careless installation or handling of this product.

For recessed installation: Access above ceiling required. Inherently protected. Vapor barrier must be suitable for 90°C. Type IC.

⚠ AVERTISSEMENT

RISQUE DE BLESSURES - Lisez et suivez toutes les MISES EN GARDE et les instructions d'installation.

Tenir ou fournir au propriétaire pour référence future.

Risque de coupures: Porter des gants pour éviter les coupures ou des écorchures lors du retrait du carton, de la manutention, l'installation et le maintien de ce produit.

Risque de choc électrique: Ce produit doit être installé conformément au code d'installation applicable par une personne familiarisée avec la construction et l'exploitation du produit et les risques impliqués.

Risque d'incendie: minimum 90° C Alimentation conducteurs. Consultez un électricien qualifié pour assurer le bon conducteur de circuit de dérivation.

ASD® n'assume aucune responsabilité pour les réclamations découlant d'une installation inadéquate ou négligente ou de la manipulation de ce produit.

Pour installation encastré: Accès-dessus du plafond nécessaire. Intrinsèquement protégé. Barrière de vapeur doit être adapté à 90°C. Tapez IC.

⚠ ADVERTENCIA

RIESGO DE LESIONES PERSONALES – Lea y siga todas las advertencias e instrucciones de instalación.

Mantener o proporcionar al propietario para referencia futura.

Riesgo de cortes: Use guantes para evitar cortes o abrasiones en la eliminación de la caja, manejo, instalación y mantenimiento de este producto.

Riesgo de choque eléctrico. Este producto debe ser instalado de acuerdo con el código de Instalación aplicable en que una persona familiarizada con la construcción y operación del producto y los riesgos involucrados.

Riesgo de Incendio: Mínimo 90° C los conductores de suministro. Consulte a un electricista calificado para asegurarse el conductor correcto del circuito.

ASD® no asume ninguna responsabilidad por reclamaciones derivadas de una instalación inadecuada o negligente o la manipulación de este producto.

Para instalación empotrada: Acceso por encima del techo requerido. Inherentemente protegida. Barrera de vapor debe ser adecuado para 90°C. Escriba IC.



LED SMD FLOODLIGHT with knuckle

COMPACT series

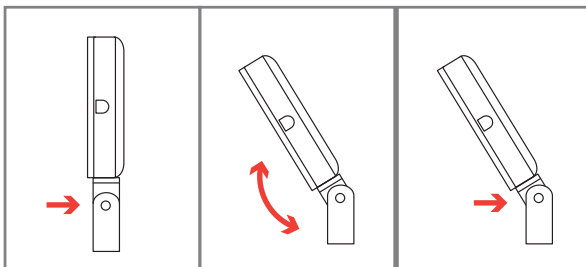
IMPORTANT SAFETY INFORMATION

Please read all the instructions below before installation.

- ▶ Make sure that the supply voltage corresponds to the rated product voltage.
- ▶ The product is designed for indoor and outdoor use.
- ▶ The product must be installed by a qualified electrician in accordance with the National Electrical Code and corresponding local codes.
- ▶ If the product is damaged, do not use it.
- ▶ All wiring connections should be capped with UL approved wire connectors.
- ▶ This fixture is intended to be connected to a properly installed and grounded UL listed junction box with suitable strain relief means for power cord. The junction box is not included, should be purchased separately.

INSTALLATION STEPS

1. Turn off the main power.
2. Adjust the arm (the arm allows you to choose the necessary light direction and to set the desired angle of a lighting fixture):

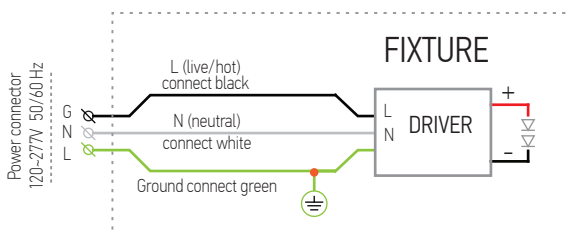


Use a wrench to loosen the screw on the arm

Adjust the arm to your desired angle

Tighten the screw

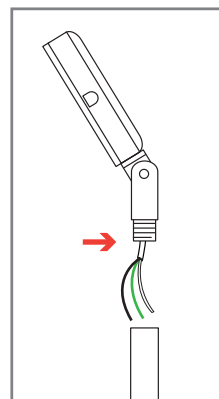
ELECTRICAL SCHEMATIC DIAGRAM



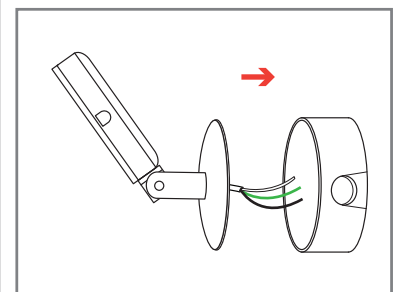
3. The floodlight can be mounted directly to an electrical box or to a pole with a 1/2" threaded insert.

Connect the black (hot), white (neutral) and green (ground) wires from the fixture to the existing wires in a properly installed and grounded UL listed junction box for power with suitable strain relief for power cord.

POLE MOUNTING



WALL MOUNTING



4. Turn on the main power. Installation is finished.